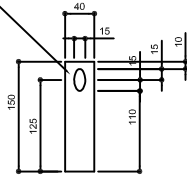


MANHOLE FRAME
 510mm Inside diameter
 75mm X 6mm MS Flat Sheet

EACH BAR MUST BE PASSED THROUGH A FIT HOLE IN THE FRAME AND WELDED INSIDE AND OUTSIDE.

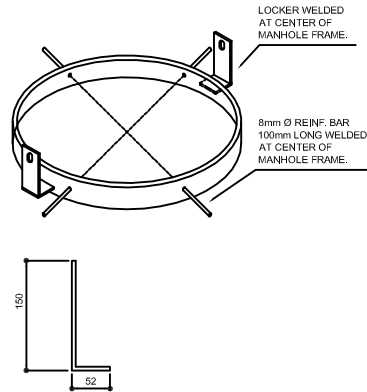
METAL PRIMER RED OXIDE
 2 LOCKS ONLY

Slot hole,
 15mm x 30mm

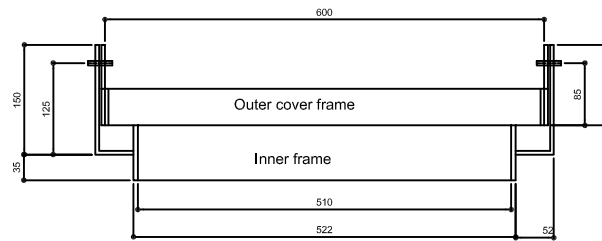


Locker
 MS Flat 40mm X 5mm
 110mm long, 2 nos

FRAME FOR MANHOLE



ASSEMBLY OF INNER AND OUTER FRAMES

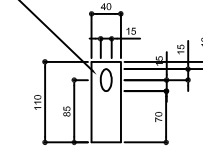


CROSS-SECTION

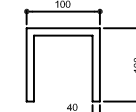
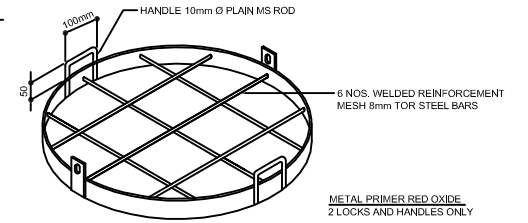
FRAME FOR COVER

MAN HOLE COVER FRAME
 600mm outside diameter
 50mm X 5mm MS Flat Sheet

Slot hole,
 15mm x 30mm



Locker
 MS Flat 40mm X 5mm
 110mm long, 2 nos



Handle
 MS plate rod 10mm,
 310mm long, 2 nos

REAP/HELVETAS

MANHOLE FRAME
 (ROUND TYPE)

APPROVED BY :

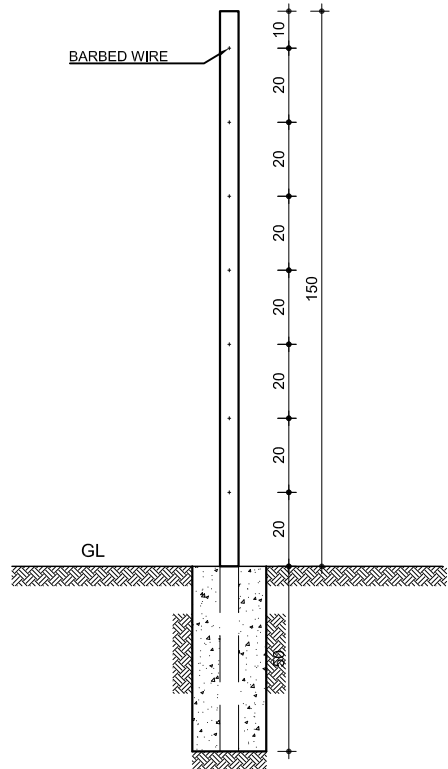
DESIGNED BY :

DRAWN BY :

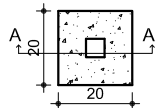
CHECKED BY :

DATE :

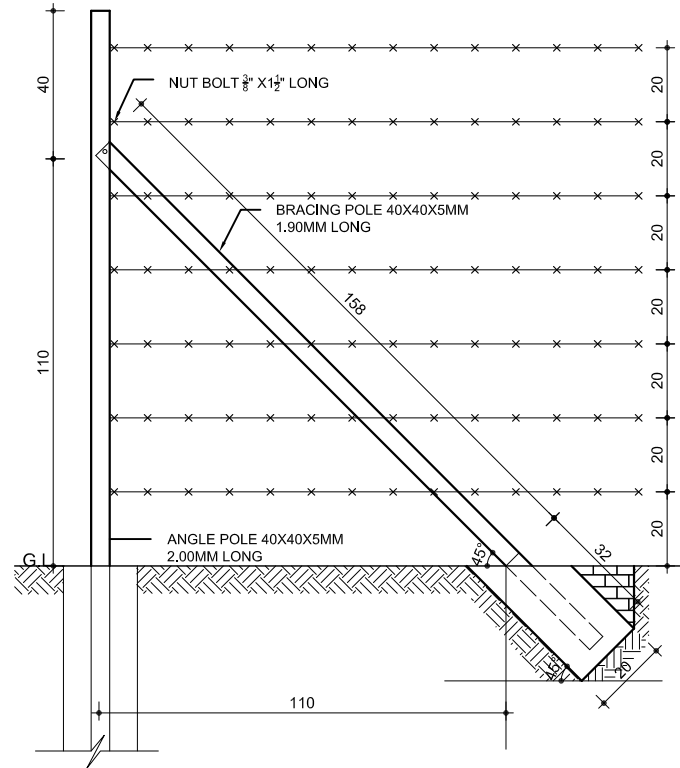
**ANGLE POLE
40X40X3mm**



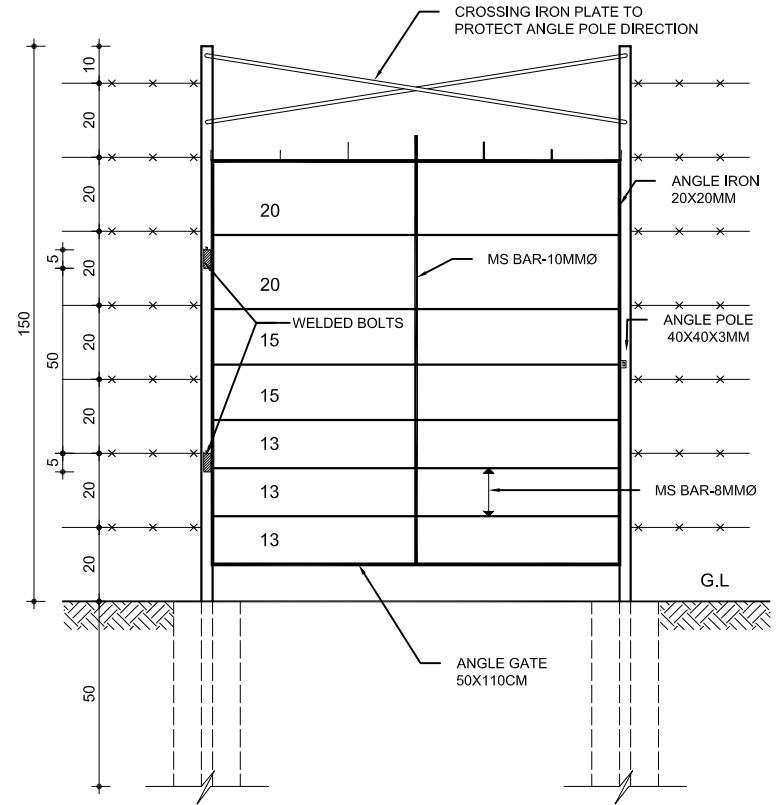
SECTION A-A



PLAN



BRACING A POLE



REVISED ANGLE GATE

SCALE = 1:20

WARM-P STANDARDIZATION,
2014

Source: DWSS

**DWSS STANDARDIZATION
WATER RESOURCES MANAGEMENT PROGRAM
SURKHET**

TYPE DESIGN

**FENCE DRAWING
(ANGLE POLE, ANGLE GATE, BRACING FOR A POLE)**

DRG. NO.

D-33

APPROVED BY :

DESIGNED BY :

DRAWN BY :

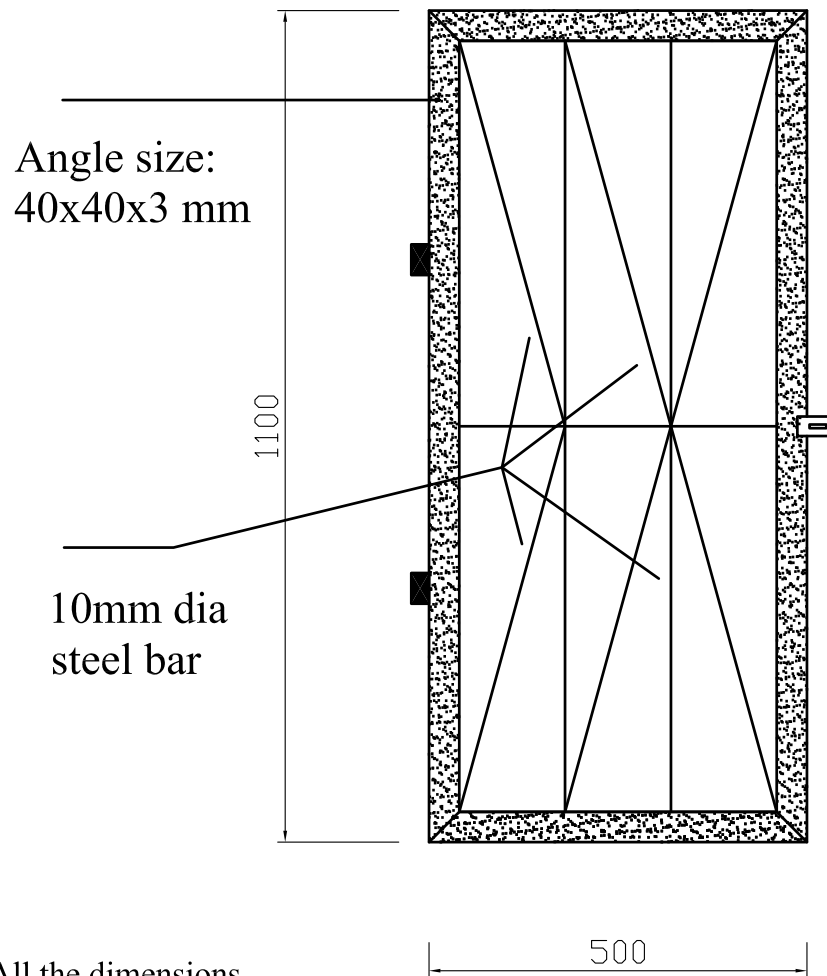
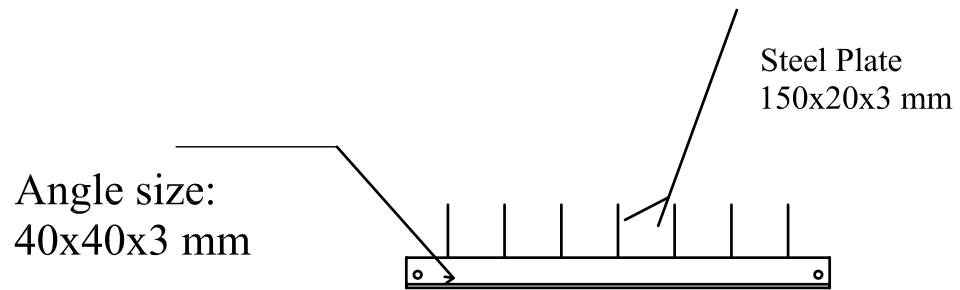
CHECKED BY :

DATE :

Materials Specification:

1. **Angle pole:**
 - Steel angle size 40mm x 40mm x 5mm; length 200cm.
 - Black Japan paint coated after red oxide coat.
 - Nos. of holes & spacing as per attached drawing.
 - Smooth finishing
2. **Angle pole for gate:**
 - Steel angle size 40mm x 40mm x 5mm; length 200cm.
 - Black Japan paint coated after red oxide coat.
 - Nos. of holes & spacing as per attached drawing.
 - Smooth finishing
3. **Corner Pole:**
 - Steel angle size 40mm x 40mm x 5mm; length 200cm.
 - Black Japan paint coated after red oxide coat.
 - Nos. of holes & spacing as per attached drawing.
 - Smooth finishing
4. **Bracing Pole:**
 - Steel angle size 40mm x 40mm x 5mm; length 190cm.
 - Black Japan paint coated after red oxide coat.
 - Nos. of holes & spacing as per attached drawing.
 - Smooth finishing
5. **Angle Gate:**
 - Steel angle size 40mm x 40mm x 3mm
 - Black Japan paint coated after red oxide coat.
 - Steel bar spacing and design as per attached drawing.
 - Smooth finishing & excellent welded joint.
6. **Tap stand Grid:**
 - Size 18cm x 25 cm; plate thickness 2mm and breadth 20mm.
 - Black Japan paint coated after red oxide coat.
 - Design and spacing as per attached drawing.
 - Smooth finishing & excellent welded joint.
7. **Big Slab Frame Type I:**
 - Outer & inner square frames, Outer for fixing and Inner removable
 - Male outer frame size: 81.5x81.5 cm & Female outer frame size: 84.0x84.0cm
 - Steel angle size 40mm x 40mm x 3mm
 - Black Japan paint coated after red oxide coat.
 - As per attached drawing.
 - Smooth finishing & excellent welded joint.
8. **Small Slab Frame Type II:**
 - Outer & inner square frames, Outer for fixing and Inner removable
 - Male outer frame size: 61.5x61.5 cm & Female outer frame size: 63.0x63.0cm
 - Steel angle size 40mm x 40mm x 3mm
 - Black Japan paint coated after red oxide coat.
 - Nos. of holes & spacing as per attached drawing.
 - Smooth finishing & excellent welded joint.
9. **Frame Key Slab:**
 - Made of best quality 10mm MS plain bar.
 - As per attached drawing or provided sample.
 - Black Japan paint coated after red oxide coat.
 - Smooth finishing
10. **Information Board**
 - Size – 3 ft x 4ft
 - Sheet – 20 gauge (black iron sheet)
 - Angle frame – 25mmx25mmx3mm
 - Vertical Support: 32 mm dia. Or 1¼” GI Pipe (MC)
 - Length of support/32mm dia GI Pipe: 10 ft 2 nos.
11. **GI bracket: (various size ½” to 2”)**
 - Local made as per sample
12. **Tool box with tray**
 - Size 600x280x280mm minimum, with lock
 - Material : 1mm thick steel plate, blue enamel painted, locally made

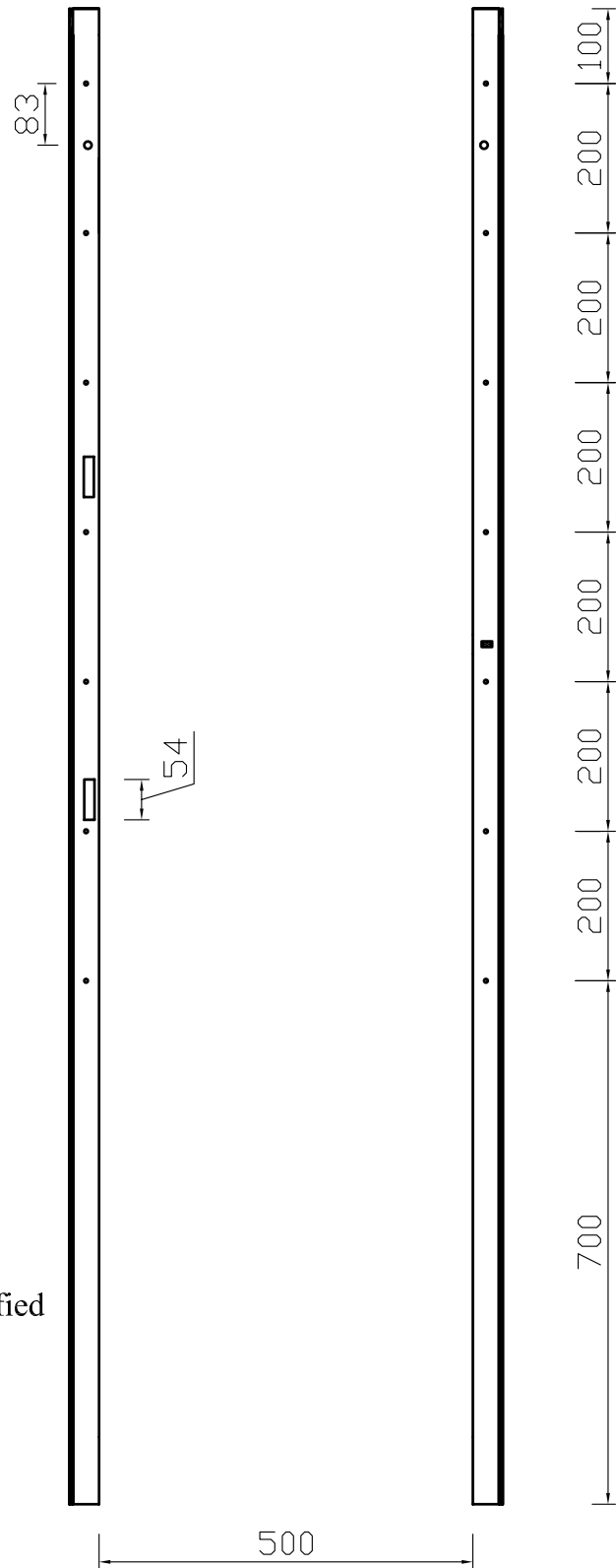
Angle Gate



Note: All the dimensions
are in MM, otherwise specified

Scale: 1:10

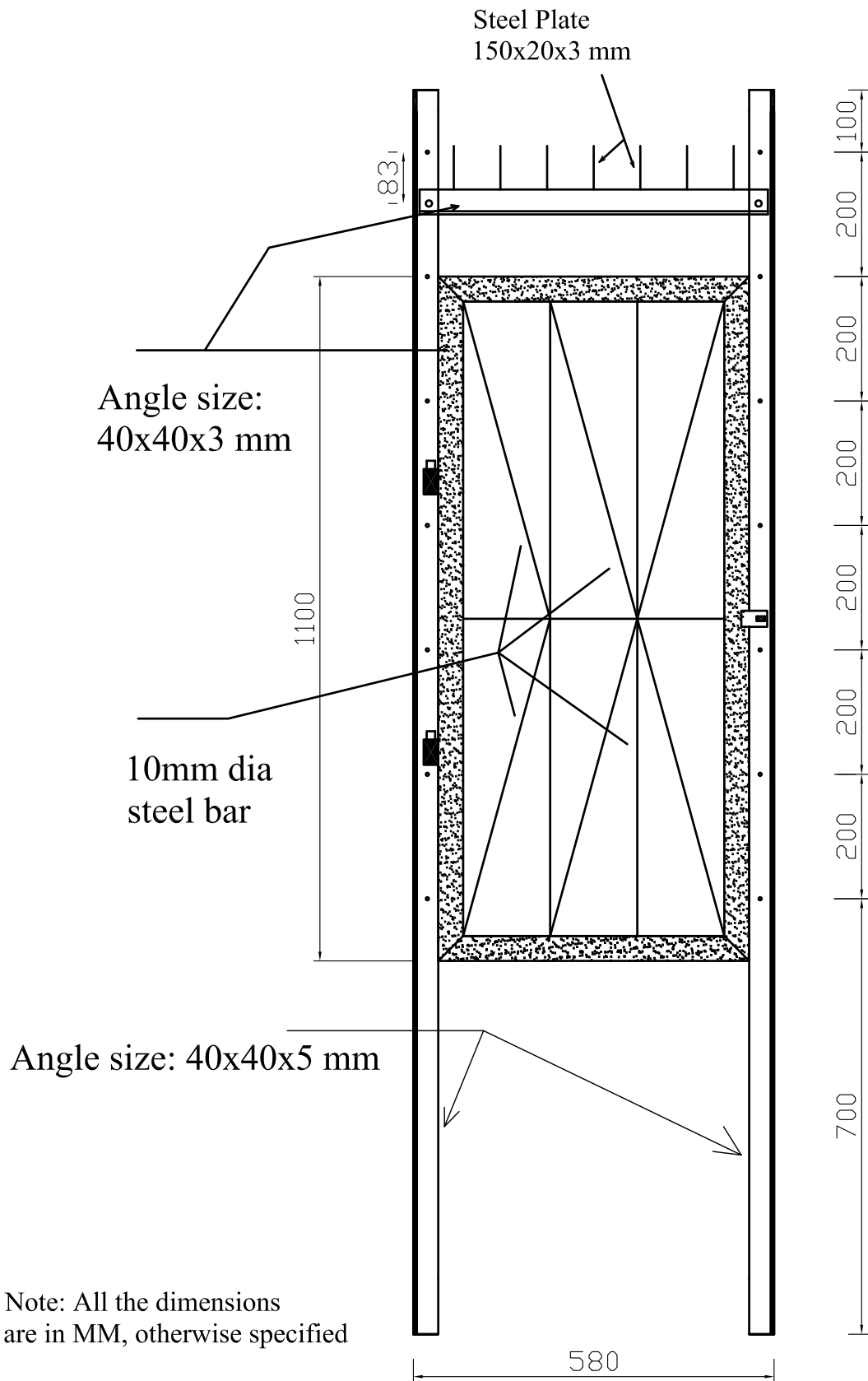
Angle Pole for Gate



Note: All the dimensions are in MM, otherwise specified

Scale: 1:10

Assembly of Angle Gate



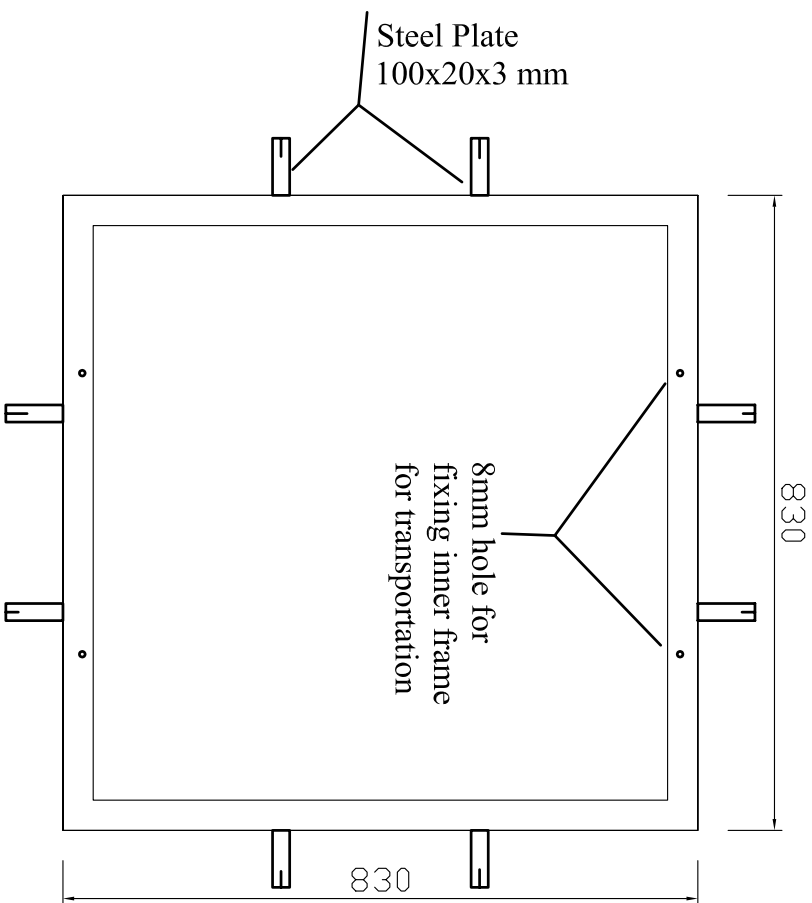
Note: All the dimensions are in MM, otherwise specified

Scale: 1:10

Big Slab Frame

Outer Frame

Angle Size: 40x40x3 mm

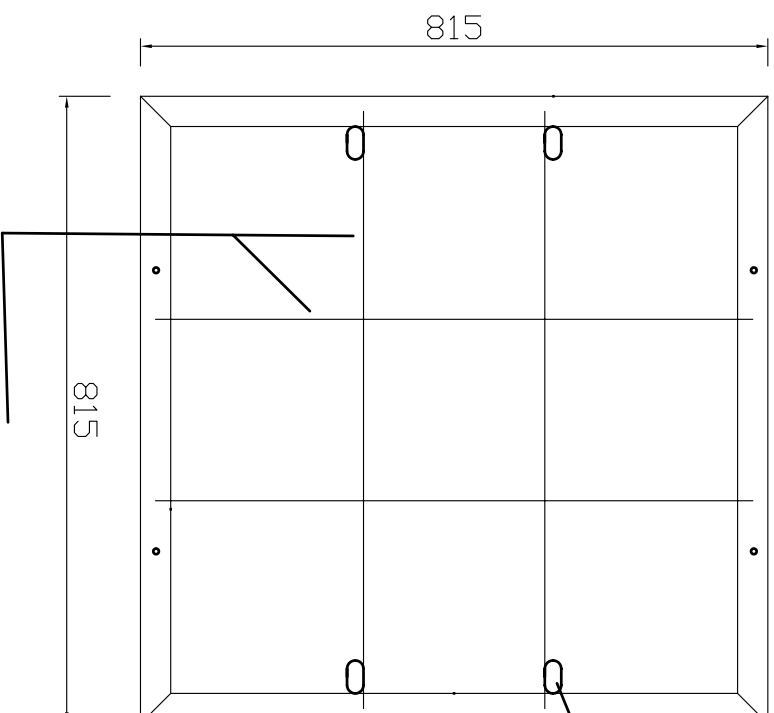


830

830

Inner Frame

Angle Size: 40x40x3



815

815

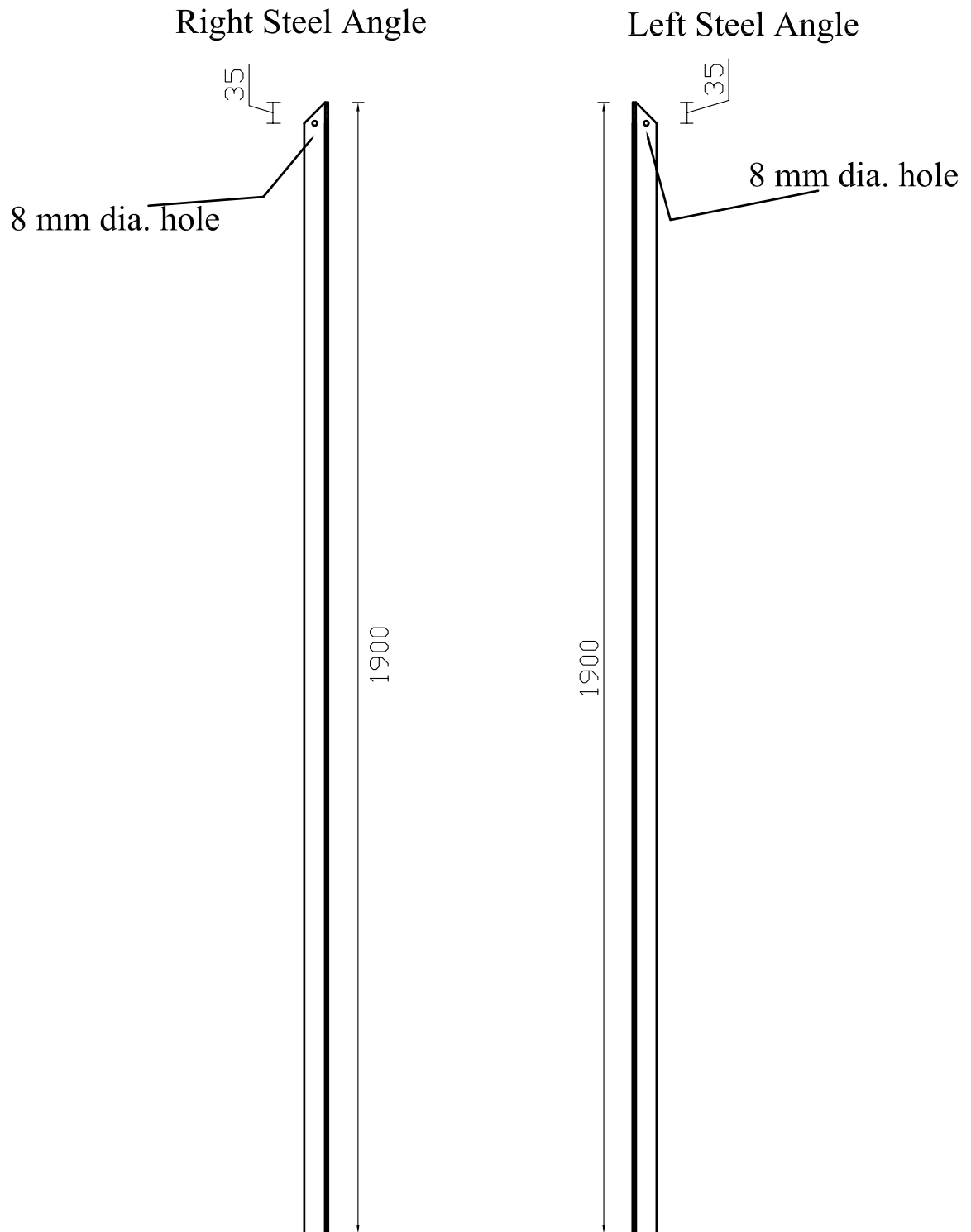
6 mm dia MS bar

50 mm long,
1" dia. GI
pipe casted.

Note: All the dimensions
are in mm, otherwise specified

Scale: 1:10

Bracing Angle Pole



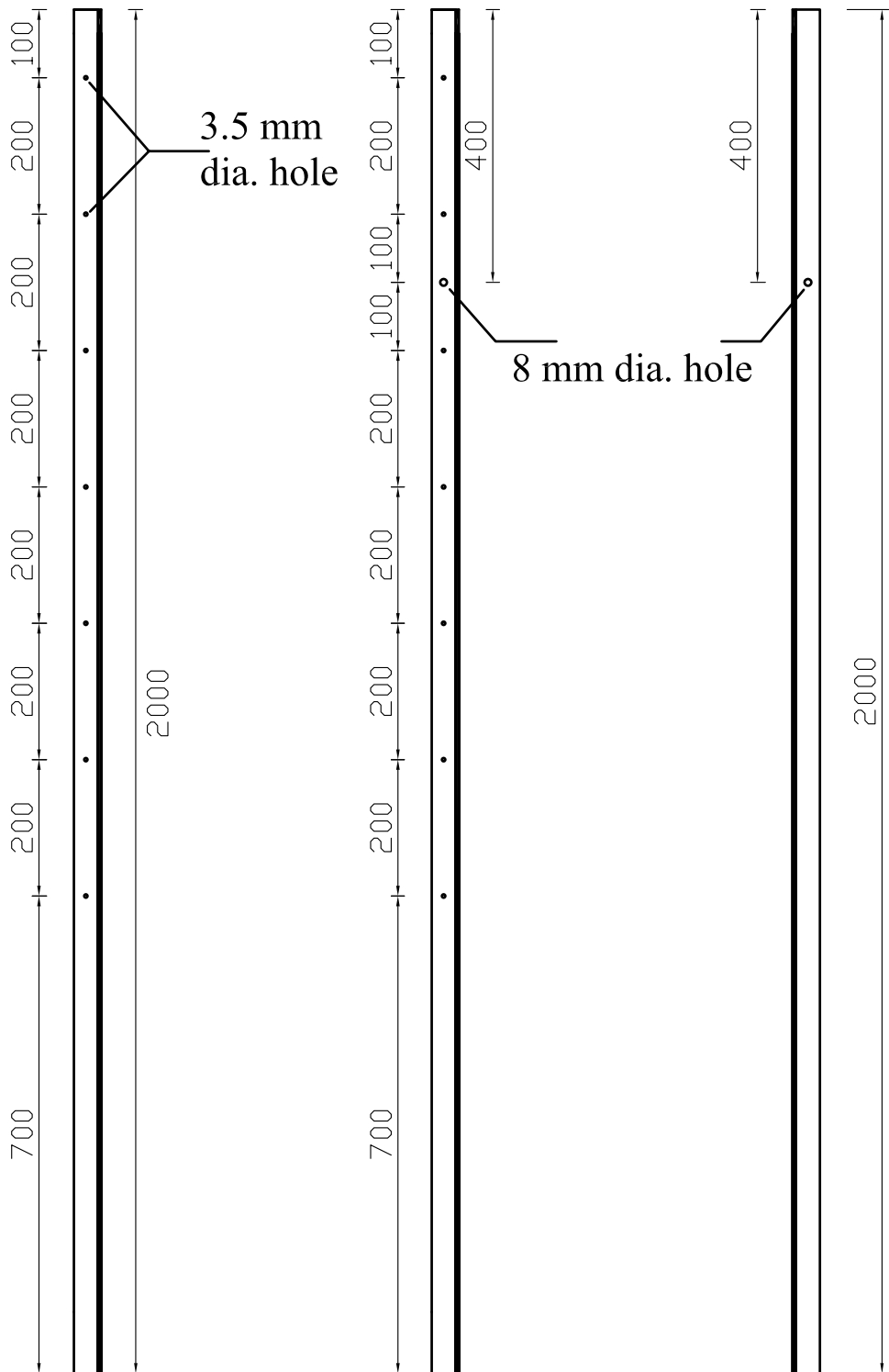
Note: All the dimensions are in MM, otherwise specified
Scale: 1:10
Angle Size: 40x40x5 mm

Angle Pole

Corner Angle Pole

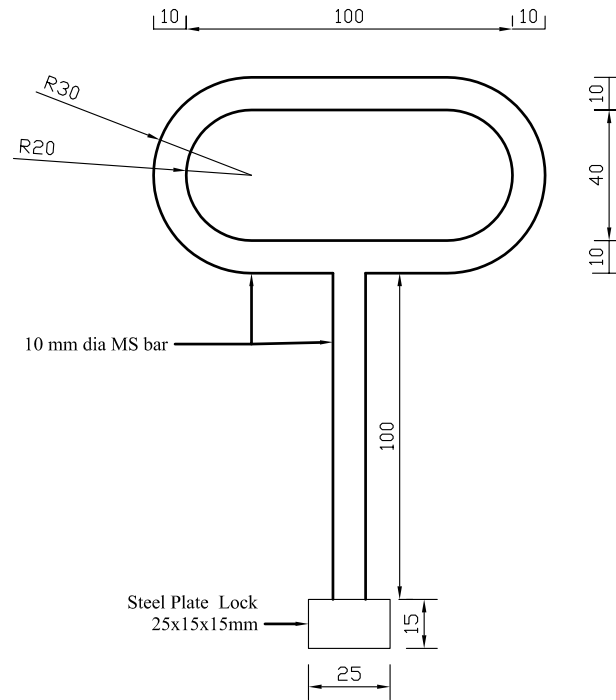
Right Steel Angle

Left Steel Angle



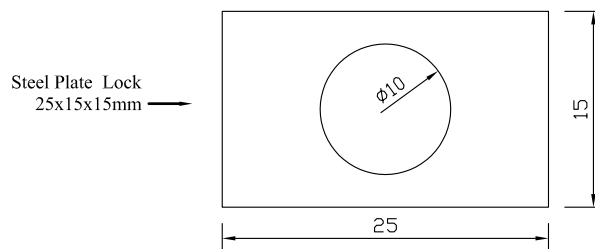
Note: All the dimensions are in mm, otherwise specified
Scale: 1:10
Angle Size: 40x40x5 mm

Slab Frame Key



Scale: 1:2

Top View of Steel Plate Lock



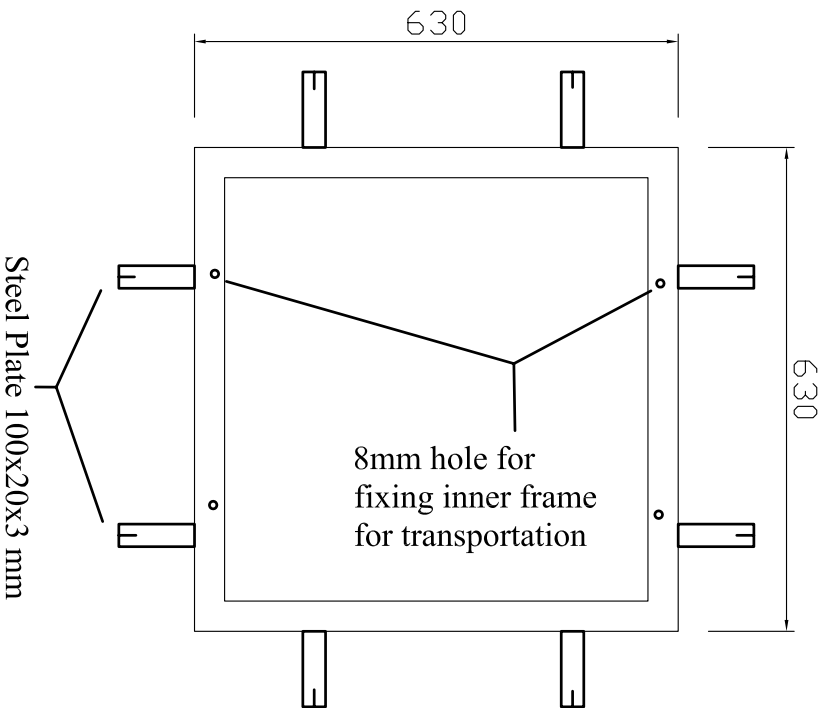
Note: Not to the scale

Note: All the dimensions are in mm otherwise specified.

Small Slab Frame

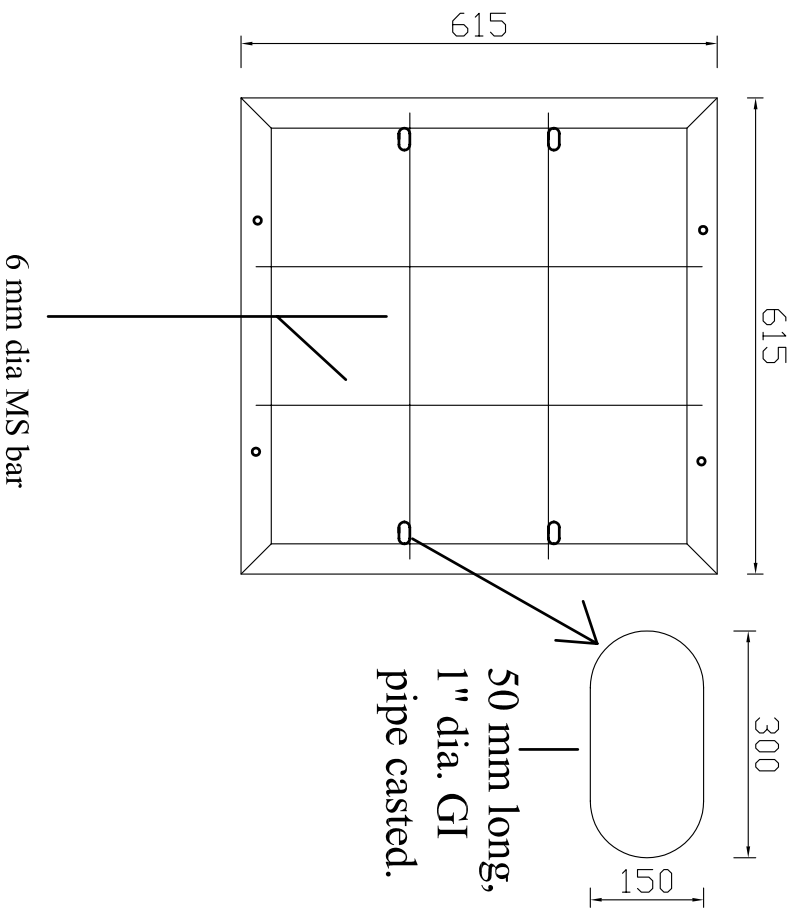
Outer Frame

Angle Size: 40x40x3 mm



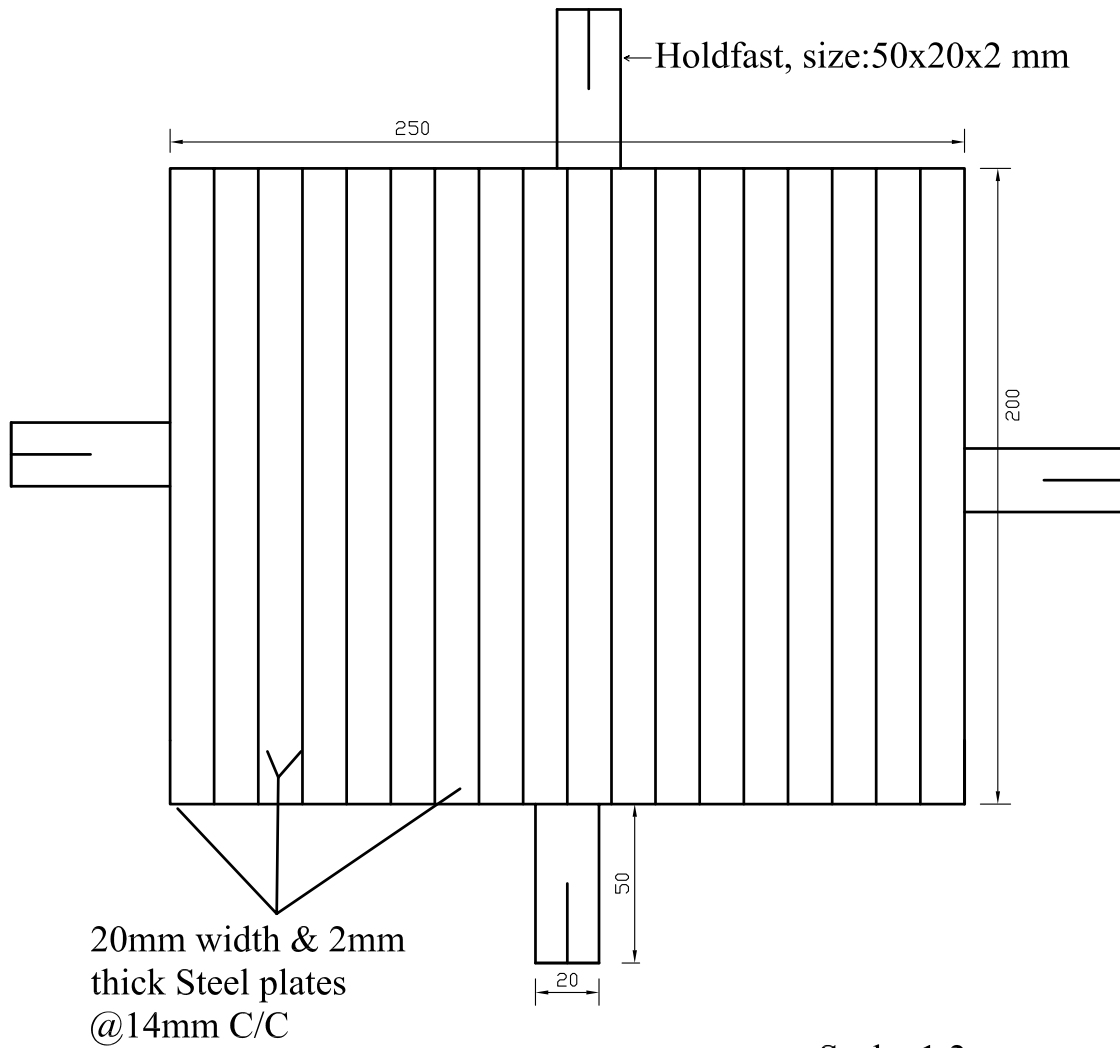
Inner Frame

Angle Size: 40x40x3 mm



Note: All the dimensions are in mm, otherwise specified
Scale: 1:10

Tap Stand Grid



Scale: 1:2